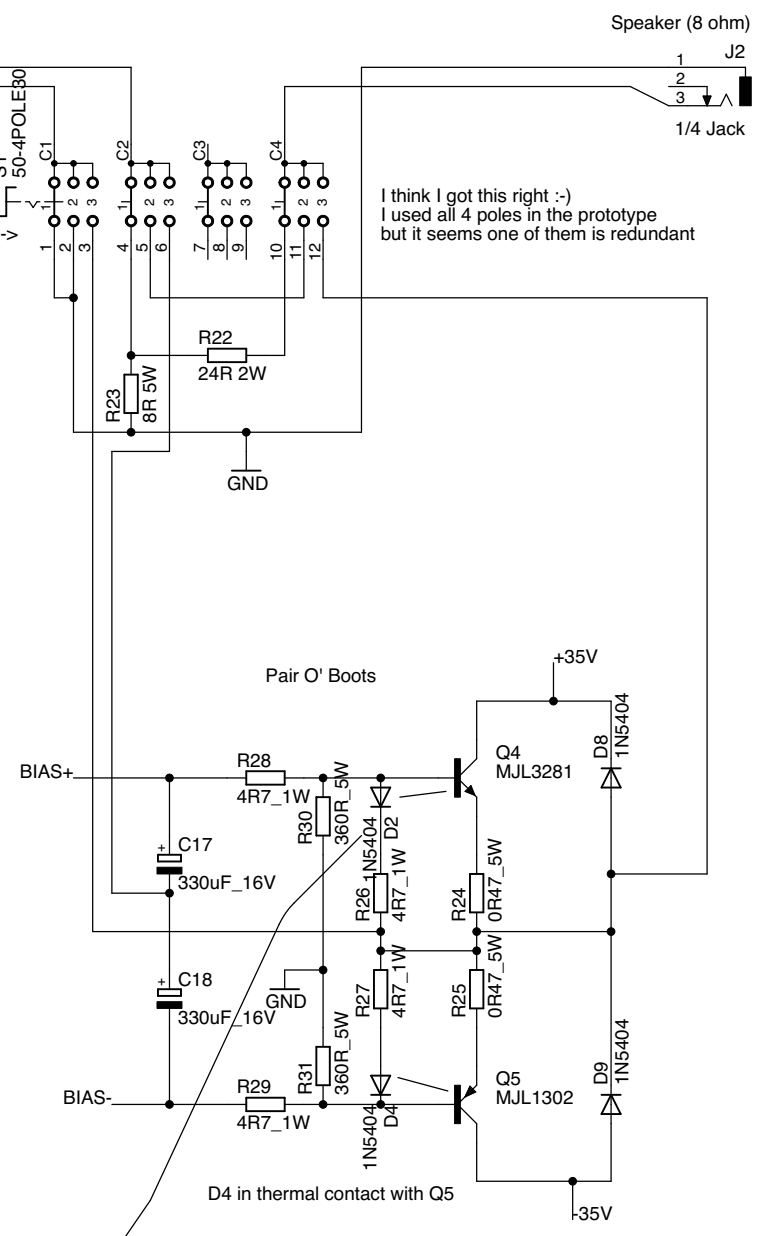
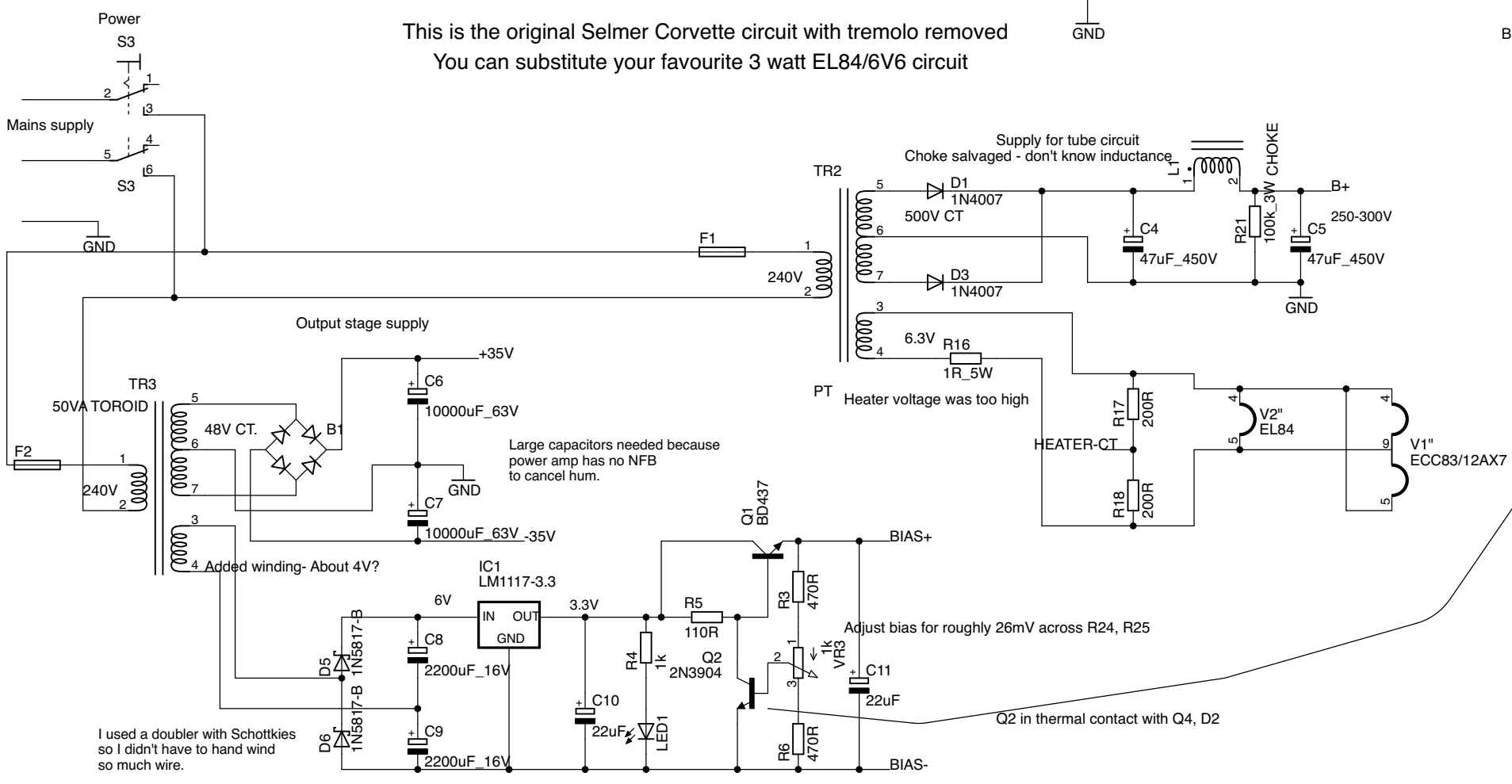


This is the original Selmer Corvette circuit with tremolo removed
 You can substitute your favourite 3 watt EL84/6V6 circuit



I think I got this right :-)
 I used all 4 poles in the prototype
 but it seems one of them is redundant

I used a doubler with Schottkies
 so I didn't have to hand wind
 so much wire.

Floating bias supply for power transistors

"Ninja Corvette Hybrid" - Guitar amp - Design by Steve Conner
 This is the schematic of my prototype. Offered free to the DIY amp building community.
 If you want to use any of these ideas commercially, please feel free to hire me as a consultant :)
 Website: scopeboy.com/amps E-mail: connermsteve@googlemail.com

TITLE: NinjaCorvetteHybrid	
Document Number:	REV: 1
Date: 29/01/2011 14:44	Sheet: 1/1