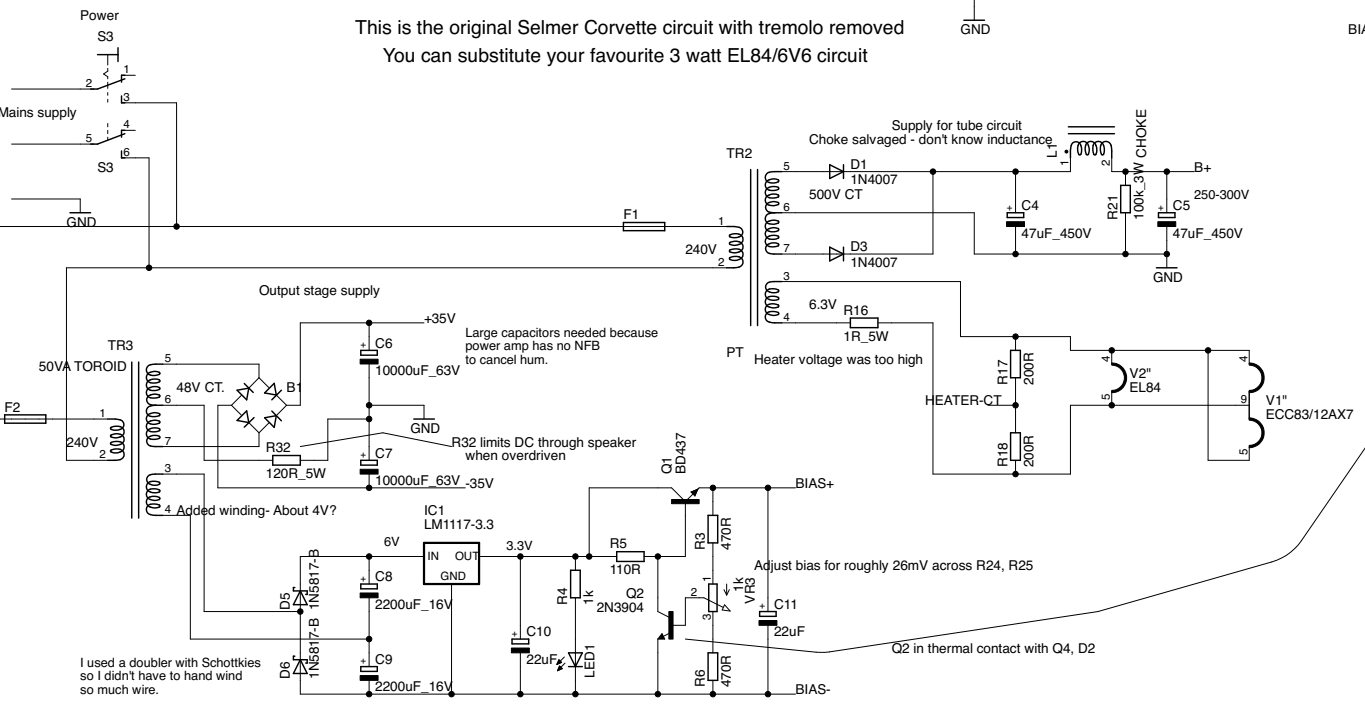
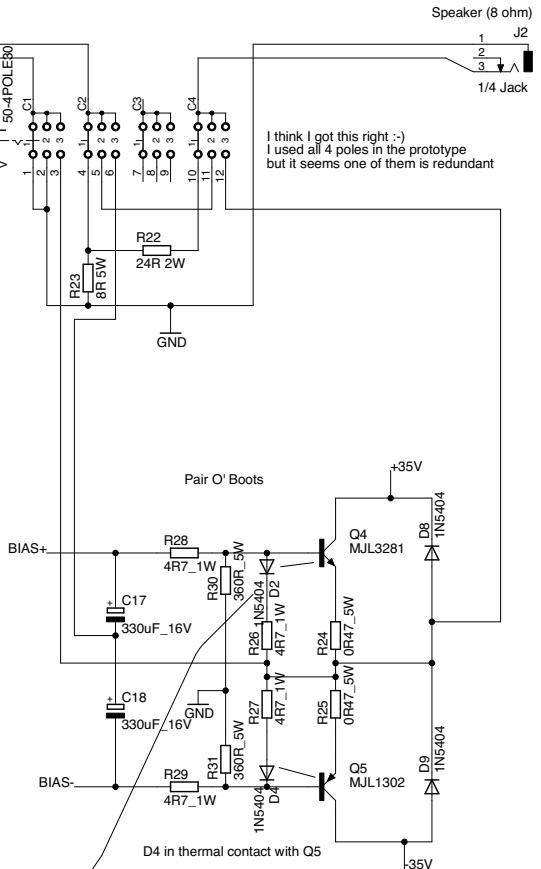


This is the original Selmer Corvette circuit with tremolo removed  
 You can substitute your favourite 3 watt EL84/6V6 circuit



I used a doubler with Schottkies so I didn't have to hand wind so much wire.

Floating bias supply for power transistors



"Ninja Corvette Hybrid" - Guitar amp - Design by Steve Conner  
 This is the schematic of my prototype. Offered free to the DIY amp building community.  
 If you want to use any of these ideas commercially, please feel free to hire me as a consultant ;  
 Website: scopeboyy.com/amps E-mail: connermcsteve@googlemail.com

TITLE: NinjaCorvetteHybridRev2	
Document Number:	REV: 2
Date: 11/03/2012 13:57	Sheet: 1/1